

Breathing Air Purity Test Kit



The Parker domnick hunter Breathing Air Purity Test Kit (APTK1) allows for a convenient 'on the spot' indication of compressed air quality. This comprehensive test kit is compact, easy to operate and can be used to indicate the level of contamination both upstream and downstream of purification equipment.

It is supplied complete with oil mist, water vapour CO and CO₂ test tubes to allow immediate multiple testing.

In addition to the detection of compressed air contaminants listed above, the APTK1 also features an Oxygen Analyser allowing for constant real-time display of the oxygen content within the compressed air system.

The APTK1 is not only suitable for industrial compressed air testing but also, the additional O₂ analysing feature enables compressed air lines that supply Breathing Air/ Respiratory Protection Equipment (RPE) to be tested to the latest national and international standards.



Contact Information:

Parker Hannifin Ltd
domnick hunter Industrial division
Dukesway, Team Valley Trading Estate
Gateshead, Tyne and Wear
England NE11 0PZ

Tel: +44 (0)191 402 9000
Fax: +44 (0)191 482 6296
Email: dhindsales@parker.com
www.domnickhunter.com

Air Content Measurables:

- Oxygen
- CO
- CO₂
- Water Vapour
- Mineral Oil

Benefits:

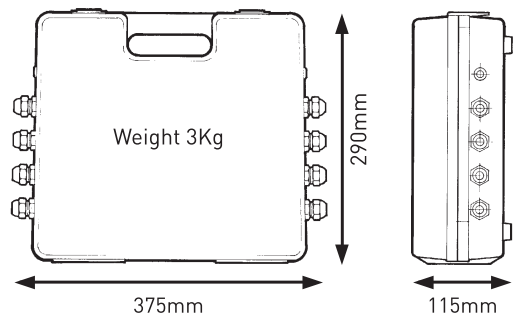
- Lightweight and portable kit in a robust carry case
- Digital oxygen content monitoring
- Allows simultaneous testing of upstream and downstream air purity
- Testing quality of breathing air to national and international Standards
- Can be used with compressed air pressures up to 10 bar g (145 psi g)
- Factory set for use with 'Gastec Ltd' detection tubes



ENGINEERING YOUR SUCCESS.

Technical Data

Air Purity Test Kit	
Maximum inlet pressure:	10 bar g (145 psi g)
Analysis operating pressure:	3 bar g (43.5 psi g) - Factory set
Maximum inlet temperature:	40°C (104°F)
Minimum inlet temperature:	15°C (59°F)
Flow accuracy:	±4% outlet
Air flow rate range at outlet:	30 - 2500 cc/min
Hose connections:	6mm -1/4 " push in adaptor
Approved detector tubes:	Calibrated for: Gastec Ltd detector tubes



Air Contaminant / Content Analysis

Model	Measurable	Sample Rate	Test Duration	Total Volume
APTK1 (60 603 5050)	CO	100ml/min	1.5 minutes	150ml
	CO ₂	100ml/min	3 minutes	300ml
	Water Vapour	100ml/min	10 minutes	1 litre
	Oil Mist (Mineral)	100ml/min	60 minutes	60 litres
	Oxygen	50ml/min	Real-time display	n/a

NB. All flow rates are factory set to allow immediate testing.

The Parker domnick hunter Air Purity Test Kit (APTK1) is supplied complete with oil mist, water vapour, CO and CO₂ test tubes (supplied in packs of 10) to allow immediate multiple testing.

Consumable Parts

Replacement Gas Detection Tubes / O ₂ Analyser	
Contaminant	Kit Part Number
Carbon Monoxide (CO)	608200465
Carbon Dioxide (CO ₂)	608200464
Water Vapour (H ₂ O)	608200462
Oil Mist	608200463
O ₂ Analyser	606035300

Compressed Air For Breathing - World Standards

SUBSTANCE	Compressed Air For Breathing - World Standards			
	Europe BS EN12021	USA 29 CFR 1910.134	Canada CSA Z180.1-00	Australia AS/NZS 1715 : 1994
Oxygen	21% (±1%)	19.5% - 23.5%	20% - 22% BY VOLUME (DRY AIR)	19.5% - 22%
Carbon Dioxide	NOT MORE THAN 500ppm	NOT MORE THAN 1000ppm	NOT MORE THAN 500ppm	NOT MORE THAN 800ppm
Carbon Monoxide	NOT MORE THAN 15ppm	NOT MORE THAN 10ppm	NOT MORE THAN 5ppm	NOT MORE THAN 10ppm
Oil Mist / Vapour	NOT MORE THAN 0.5mg/m ³	NOT MORE THAN 5ppm	NOT MORE THAN 1mg/m ³	NOT MORE THAN 1mg/m ³
Odour / Taste	WITHOUT SIGNIFICANT ODOUR OR TASTE	WITHOUT SIGNIFICANT ODOUR OR TASTE	WITHOUT SIGNIFICANT ODOUR OR TASTE	WITHOUT SIGNIFICANT ODOUR OR TASTE
Water (liquid)	THERE SHOULD BE NO FREE WATER	THERE SHOULD BE NO FREE WATER	THERE SHOULD BE NO FREE WATER	THERE SHOULD BE NO FREE WATER
Water (Vapour)	Air for compressed air line breathing apparatus shall have a dewpoint sufficiently low to prevent condensation and freezing. Where apparatus is used and stored at a known temperature pressure dewpoint shall be at least 5°C below the likely lowest temperature. Where conditions of usage and storage of the air is not known the pressure dewpoint shall not exceed -11°C.	4°C (39°F) pdp @ 50psi g	The pressure dewpoint of the compressed breathing air shall be at least 5°C (9°F) below the lowest temperature to which any part of the compressed breathing air pipeline or the accepted respirator maybe exposed at any season of the year.	Airline pressure dewpoint should be at least 5°C below the lowest know temperature or -11°C if the lowest temperature is not known.

©2009 Parker Hannifin Corporation. All rights reserved. Catalogue: 17 400 4436
03/09 Rev. 00



ENGINEERING YOUR SUCCESS.